

X3 IX500:256.256.22

PRODUCT DESCRIPTION

The **X3** IX500:256.256.22 is a tire sensor with 65,536 sensing points and unsurpassed accuracy and durability.

SENSING

Sensor Technology	Capacitive Pressure Imaging	
Pressure Range	2-100psi,10-200psi	
	0.141 kg/cm ² - 7.031 kg/cm ² , 0.7031 kg/cm ² - 14.061 kg/cm ²	
Spatial Resolution	0.05"	1.15mm
Accuracy	± 10% full scale*	
Sampling Frame Rate	6.2 frames/s**	

PHYSICAL CHARACTERISTICS

Total Area	25" x 21"	63.5cm x 53.3cm
Sensing Area	11.6" x 11.6"	29.5cm x 29.5cm
Thickness (Sensing Area, uncompressed)	0.024"	0.06cm
Thickness (Sensing Area, compressed)	0.018"	0.045cm
Thickness (Border – cabling side)	0.024"	0.06cm
Border Width (cabling side)	4.75"	12.1cm
Border Width (non-cabling side)	2.63"	6.7cm
Cable	—	—
Connector	4.76"x 2.76"x 0.9"	12.1cm x 7.0cm x 2.3cm

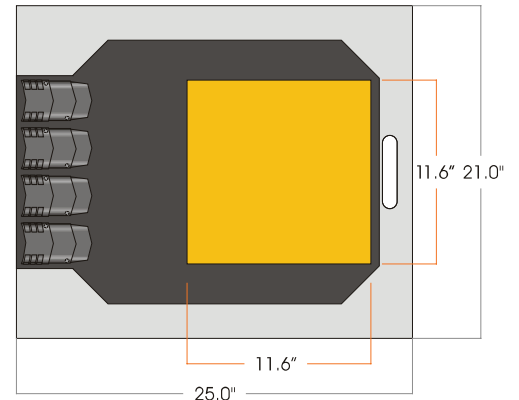
ENVIRONMENT

Ambient Temperature	10°C - 40°C
Ambient Humidity	5% to 90% RH

REQUIREMENTS FOR OPERATION

- Each sensor must be connected to two **X3** SENSOR PACK PROs.
- The **X3** SENSOR PACK PROs need to be connected to an **X3** PRO.
- The **X3** PRO configurations need to be subsequently connected to a power supply and a computer running XSENSOR software to function.

*As tested by XSENSOR's production calibration process. **With an Intel Core 2 Duo processor and XSENSOR's PRO v6.0 software. Results may vary with other configurations.



KEY FEATURES

- High-resolution sensors with a 1.15 mm pitch (resolution) and 65,536 sensing points
- Designed for high-quality pressure images with exceptional detail
- Excellent for both lab and environmental testing
- Durable sensors that performs well in sub-surface (soil/ sand) testing